

Service  
Service  
Service



Philips Domestic Appliances and Personal Care

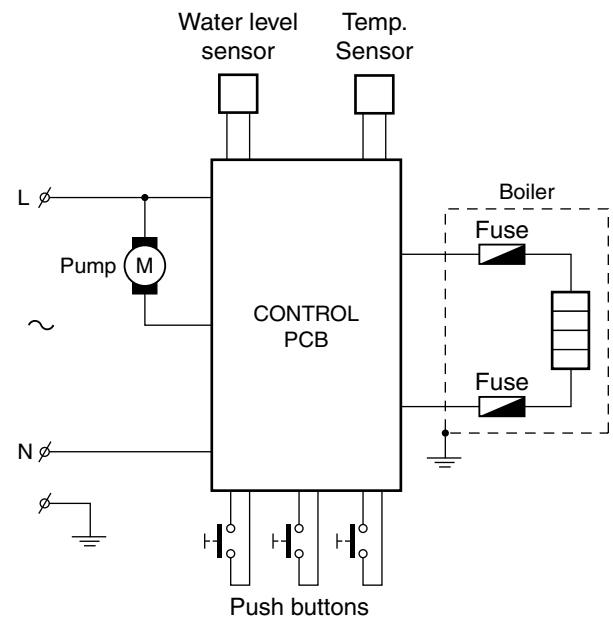
# Service Manual

**PRODUCT INFORMATION**

- This product meets the requirements regarding interference suppression on radio and TV.
- After the product has been repaired, it should function properly and has to meet the safety requirements as officially laid down at this moment.

**TECHNICAL INFORMATION**

- Voltage : 220 - 240 V
- Frequency : 50 - 60 Hz
- Power consumption : 1450 W
- Standby power consumption : 1.2 W
- Contents reservoir : 1200 cc
- Colour setting : Christmas Red / Flowers
- Sap coding : HD7823/80



## DISASSEMBLY- AND RE-ASSEMBLY ADVISE

To remove the back cover, follow below steps:

- Remove Screw **A** (see exploded view).
- Remove valve outlet.
- Start at the upper side of the back cover and stick a screwdriver into the 2 snap locks positions and gently pull the back cover from the appliance so that a little chink between back cover and brew chamber becomes visible.
- Put the screwdriver into the 4 rectangular holes (snap locks) at the back and gently pull the screwdriver such away that the lips of the snap locks are bent outwards.
- If all clicks positions are loose, it is possible to remove the back cover.
- Reassemble follow steps backwards.

To reach the components placed on the base (for example exchange the NTC temperature sensor) follow below steps:

- First remove back cover, brew chamber, 3-way valve and boiler.
- Remove both Torx T15 screws **B** (see exploded view).
- Bend the 2 click snap locks with a screwdriver (see base), the housing can now be removed.
- To remove the rest of the housing unlock the last 4 snap locks at the base and gently pull of the front cover.
- To reassemble follow above steps backwards.

## OPTIONAL (accessories)

- No specific issues.

## REPAIR INSTRUCTION

### Descaling

Regular descaling will prolong the life of your appliance and will guarantee optimal brewing results for a long time.

- Follow the steps in the section headed “Preparing the appliance for use” see DFU (Direction for Use manual)
- Instead of only water use a mix of water and Lemon sour.
- For the best result leave the mix of water and Lemon sour for about 30 Minutes in the appliance, before you start with flushing the appliance.
- To get the best results repeat above-mentioned step once or twice.
- When finished, flush the appliance twice by repeating the above-mentioned steps only use water instead.

## Volume adjustment

The new PCB circuit board makes it possible to adjust the volume output by means of pushing the one-cup and two-cup user controls.

How to adjust the volume output:

1. Be sure the boiler is filled properly, other wise perform fill procedure see DFU for instructions.
2. Switch appliance on and wait until the unit is ready to brew.
3. Be sure a **pod holder** is placed, but **without** a Coffee POD. (Only adjusting with **plain** water)
4. Place a cup on the drip tray cover and push the one-cup button.
5. When the appliance has finished it is stabilized to perform the volume adjustment.
6. Empty the cup, podholder and push again for one cup setting, measure the volume output with a graduated beaker. In the table you can find the requirements for the minimum / maximum volume output cc/mL values depending from the country version:

	Min. water cc/mL	Max. water cc/mL
France version	104	120
General version	125	141

7. Unplug the appliance from the mains.
8. Press the 1- and 2 cup button simultaneously and plug the mains on.
9. When above step succeeded the LED will turn on continuously.
10. Depending if the volume has to de- or increase you have to push the 1- or 2 cup button.  
Every time you push the 1- or 2 cup button the LED will turn off for 0.5 second (feedback to user) and the pump time will be shortened or lengthened for 0.5 seconds depending which button was pushed.  
**Pushing 1 cup** button pump, time will be **shorten** with 0.5 sec is approximately - 3.5 cc/mL (less coffee)  
**Pushing 2 cup** button pump, time will be **lengthen** with 0.5 sec is approximately + 3.5 cc/mL (more coffee)  
When the volume has to increase with 10 cc for example, push the **2 cup** button 3 times.  
The new value will be stored when you switch the appliance off by pushing the main switch.  
(LED will turn off)
11. Turn appliance on again and brew one cup, measure the volume. In case the volume is not within specification repeat steps 6 - 11.
12. End.

**Restoring the Boiler\_empty\_flag to production default:**

Some times it is needed that the boiler of the Senseo have to be emptied.

This for instance in wintertime where the possibility exists that the boiler becomes frozen during transport e.g.

For those occasions it is handy to restore the **Boiler\_empty\_flag** again to production default in the Eeprom.

Bringing the Senseo back into production status, has the benefit the flush routine will be activated automatically when installed by the consumer.

To SET the **Boiler\_empty\_flag** can be done by:

**Keep the 1-cup button pressed while plugging in the power cord of the appliance.**

The main switch LED will blink very rapidly for approximately 1 second.

To check if the **Boiler\_empty\_flag** is really set, you should reconnect the power cord a second time to the net and push the main switch.

The main switch LED should light continuously.

Pos	Service code	Description	
1	4222 259 41060	Padholder 1 cup	Christmas Red
2	4222 259 41070	Padholder 2 cups	Christmas Red
3	4222 247 42550	Collector	Black
4	4222 247 56630	Spout cover	Christmas Red
5	4222 259 37910	Spout assy	Black
6	4222 240 05940	Driptray cover	
7	4222 247 41860	Driptray	Black
8	4222 247 56090	Lever	Christmas Red
9	4222 247 41950	Pushrod	
10	4222 247 06810	Sealing ring	
11	4222 240 05990	Ejector pin	
12	4222 247 41920	Distribution disk	Black
13	4222 259 34970	3-Way valve	
14	4222 259 35440	Boiler assy	V7.0 - 230 V
15	4222 247 06840	Hose	
16	4222 247 05130	O-ring (NTC)	
17	4222 259 35500	NTC assy	
18	4222 259 41040	Water tank assy	Christmas Red
19	4222 247 56130	Valve outlet	Christmas Red
20	4222 259 41020	Back cover	Christmas Red
21	4222 247 35870	Filter	
22	4222 247 05180	WC sealing	
23	4222 247 39890	WC socket hard	
24	4222 247 05110	Corrugated tube	
25	4213 247 05250	Foot	

EXPLODED VIEW

HD7823/80

